

SONY

Hi-Fi Products
Service Bulletin

Sony Service Company - Technical Services
A Division of Sony Corporation of America
Sony Drive, Park Ridge, New Jersey 07656

Model: DTC-57ES / 75ES / 87ES / 700 / 750

No. 317

Subject: Momentary loss of audio at the same point on a known good tape.

Date: February 5, 1993

Symptom:
(52)

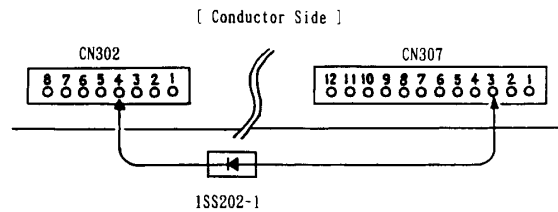
When playing back pre-recorded tapes which have had no previous problems, the audio is lost momentarily at the same point on the tape. This problem is caused by a malfunction in the unit which momentarily sets the unit into the record mode when the power switch is turned on or off and a tape is left in the unit.

Solution: Add the associated component indicated for the model being repaired:

DTC-75ES / 700

Add one diode (shown in the chart below) between pin no. 4 on connector CN302 and pin no. 3 on connector CN307 on the Main board (mount as shown in diagram below).

DESCRIPTION	PART NUMBER
1SS202-1	8-719-107-94



DTC-57ES / 750

Add one diode (shown in the chart below) between pin no. 11 on connector CN557 and pin no. 13 on connector CN501 on the Main board (mount as shown in diagram below).

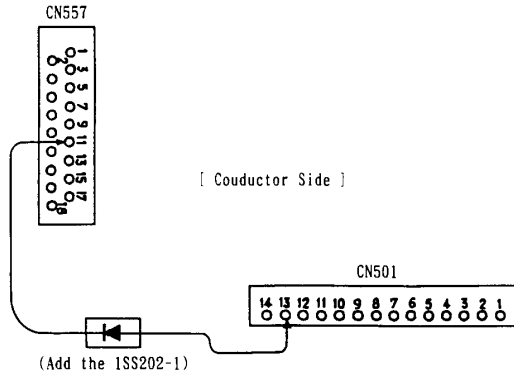
DESCRIPTION	PART NUMBER
1SS202-1	8-719-107-94

(See diagram on next page)

Reference: FPR-N 00121

PRINTED IN U.S.A.
CSA-13193-4

CSA-13
DAT



DTC-87ES

Add one transistor (shown in chart below) between pin no. 11 on connector CN501, pin no. 6 on connector CN501 and pin no. 3 on CN507 on the Digital board (mount as shown in diagram below).

DESCRIPTION	PART NUMBER
DTC-144ES	8-729-900-89

